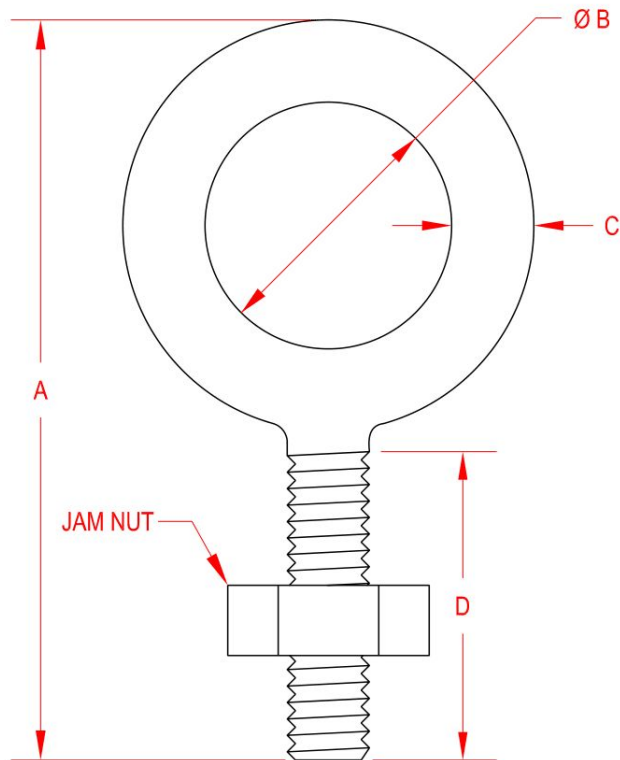


ACCESSORIES ZAC105

EYE BOLT W/ JAM NUT

Drawing Number: FI1209

INCH [mm] | Material: Plain Steel



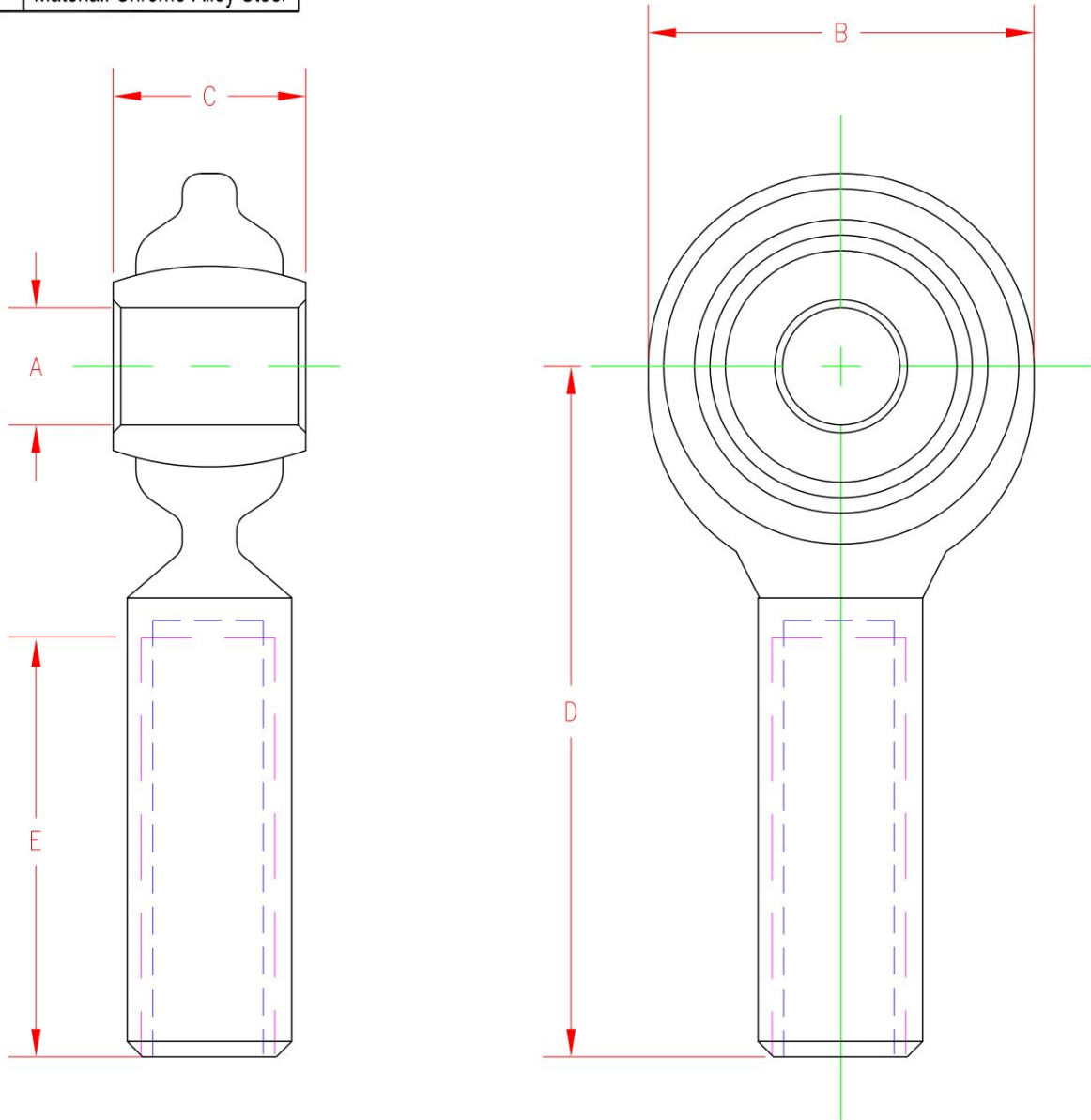
STK#	THREAD	A	B	C	D	LOAD RATING (lb)
FSH02351	1/4-28	2.38 [60.5]	0.75 [19.1]	0.25 [6.4]	1.00 [25.4]	375
FSH02352	3/8-24	3.25 [82.6]	1.00 [25.4]	0.34 [8.6]	1.25 [31.8]	1050
FSH02353	1/2-20	3.50 [88.7]	1.19 [30.2]	0.44 [11.2]	1.50 [38.1]	1950
FSH02354	5/8-18	4.31 [109.5]	1.38 [34.9]	0.59 [15.0]	1.75 [44.5]	3000
FSH02355	3/4-16	5.13 [130.3]	1.50 [38.1]	0.66 [16.8]	2.00 [50.8]	4500
FSH02356	1-12	6.00 [152.4]	1.81 [46.0]	-	-	6000
FSH02357	1-14	7.00 [177.8]	1.81 [46.0]	0.88 [22.4]	2.50 [63.6]	6000
FSH02358	1 1/4-12	6.00 [152.4]	2.19 [55.6]	-	-	6000

ACCESSORIES

FEMALE ROD END BEARING

Drawing Number: FI1200-A

INCH [mm] | Material: Chrome-Alloy Steel



ITEM#	THREAD	A	B	C	D	E	LOAD RATING (lb)
GOD00719	10-32	0.19 [4.8]	0.63 [16.0]	0.31 [7.9]	1.06 [26.9]	0.50 [12.7]	3700
GOD00477	1/4-28	0.25 [6.4]	0.75 [19.1]	0.38 [9.7]	1.31 [33.3]	0.69 [17.5]	6100
GOD00720	5/16-24	0.31 [7.9]	0.88 [22.4]	0.44 [11.2]	1.38 [35.1]	0.69 [17.5]	7600
GOD00721	3/8-24	0.38 [9.7]	1.00 [25.4]	0.50 [12.7]	1.63 [41.4]	0.81 [20.6]	9500
GOD00722	7/16-20	0.44 [11.2]	1.13 [28.7]	0.56 [14.2]	1.81 [46.0]	0.94 [24.0]	10200
GOD00723	1/2-20	0.50 [12.7]	1.31 [33.3]	0.63 [16.0]	2.13 [54.1]	1.06 [27.0]	15300
GOD00724	5/8-18	0.63 [16.0]	1.50 [38.1]	0.75 [19.1]	2.50 [63.5]	1.38 [35.1]	17900
GOD00725	3/4-16	0.75 [19.1]	1.75 [44.5]	0.88 [22.4]	2.88 [73.2]	1.56 [39.6]	28000
GOD01327	1-14	1.00 [25.4]	2.95 [74.9]	1.38 [35.1]	4.13 [104.9]	2.13 [54.1]	76200
GOD00726	1 1/4-12	1.00 [25.4]	2.75 [69.9]	1.38 [35.1]	4.13 [104.9]	2.13 [54.1]	76200

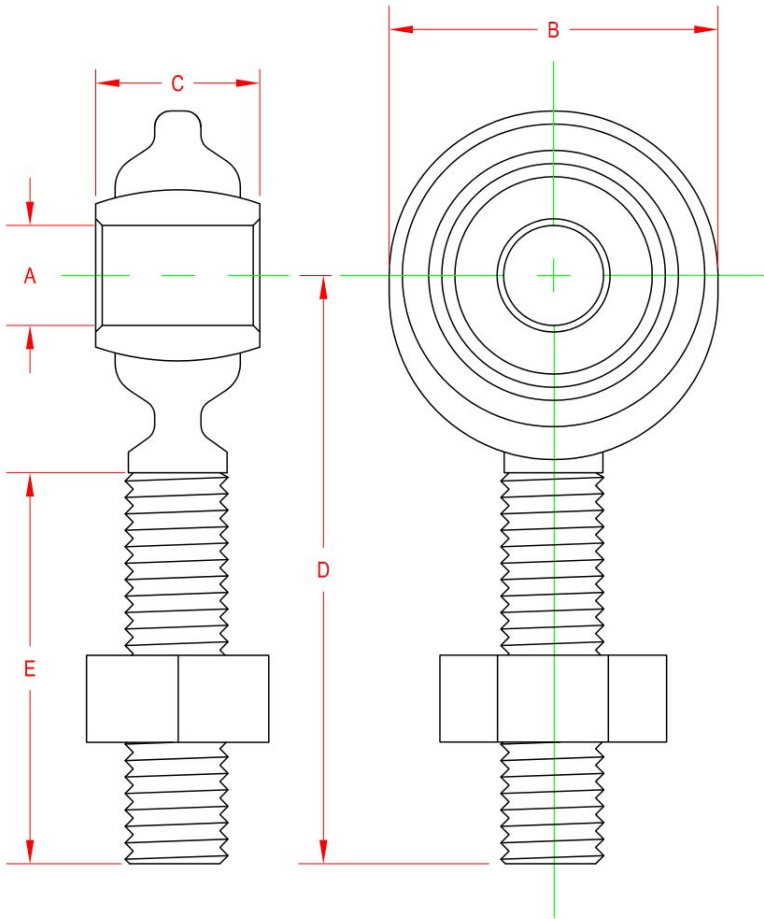
BALL JOINT HANDLES UP TO 17° OF MISALIGNMENT

ACCESSORIES

MALE ROD END BEARING W/ JAM NUT

Drawing Number: F11197-A

INCH [mm] | Material: ZINC PLATED STEEL



ITEM#	THREAD	A	B	C	D	E	LOAD RATING (lb)
FSH02328	10-32	0.19 [4.8]	0.63 [16.0]	0.31 [7.9]	1.25 [31.8]	0.75 [19.1]	1200
FSH02329	1/4-28	0.25 [6.4]	0.75 [19.1]	0.38 [9.7]	1.56 [39.6]	1.00 [25.4]	2200
FSH02330	5/16-24	0.31 [7.9]	0.88 [22.4]	0.44 [11.2]	1.88 [47.8]	1.25 [31.8]	3600
FSH02331	3/8-24	0.38 [9.7]	1.00 [25.4]	0.50 [12.7]	1.94 [49.3]	1.25 [31.8]	5100
FSH02332	7/16-20	0.44 [11.2]	1.13 [28.7]	0.56 [14.2]	2.13 [54.1]	1.38 [35.1]	6400
FSH02333	1/2-20	0.50 [12.7]	1.31 [33.3]	0.63 [16.0]	2.44 [62.0]	1.50 [38.1]	8300
FSH02334	5/8-18	0.63 [16.0]	1.50 [38.1]	0.75 [19.1]	2.63 [66.8]	1.63 [41.4]	9800
FSH02335	3/4-16	0.75 [19.1]	1.75 [44.5]	0.88 [22.4]	2.88 [73.2]	1.75 [44.5]	14200
FSH02336	1 1/4-12	1.00 [25.4]	2.75 [69.9]	1.38 [35.1]	4.13 [104.9]	2.13 [54.1]	43500
FSH02337	M6 X 1	0.24 [6.0]	0.75 [19.0]	0.35 [9.0]	1.42 [36.0]	0.87 [22.0]	1600
FSH02338	M10 X 1.5	0.39 [10.0]	1.06 [27.0]	0.55 [14.0]	1.89 [48.0]	1.14 [29.0]	4700
FSH02339	M12 X 1.75	0.47 [12.0]	1.18 [30.0]	0.63 [16.0]	2.13 [54.0]	1.30 [33.0]	5800
FSH02340	M16 X 2	0.63 [16.0]	1.50 [38.0]	0.83 [21.0]	2.60 [66.0]	1.57 [40.0]	8400

BALL JOINT HANDLES UP TO 17° OF MISALIGNMENT