



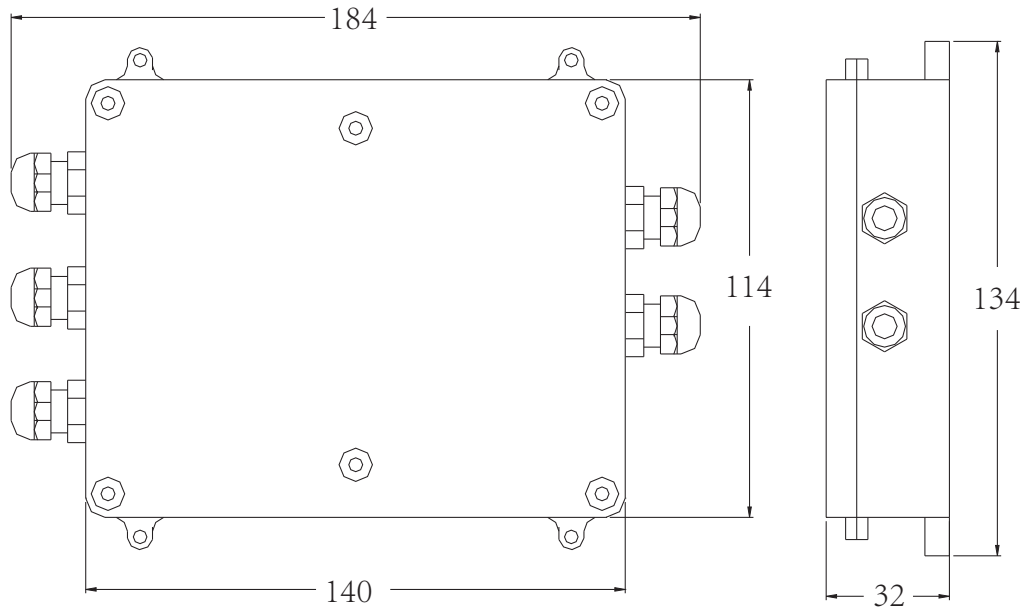
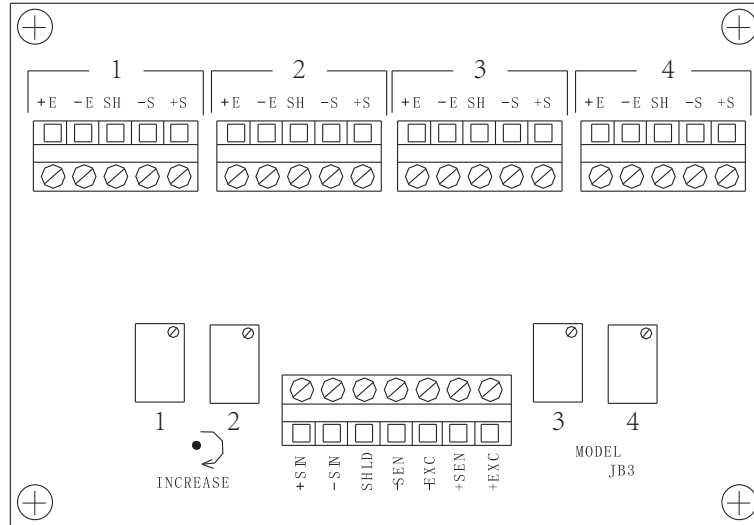
JB-SS shown with cover

## ACCESSORIES

Our JB-SS is a load cell summing card housed in an Stainless Steel enclosure. It has four 5-position terminal strips for load cell input and one 7-position terminal strip with internally jumped sense terminals for output to the instrument. The board will sum 2 to 4 load cells and can be daisy-chained to sum up to 8 load cells using 2 summing cards and enclosures. Trimming of signal output is accomplished with four multi-turn trim pots. A stainless steel enclosure version (JB-SS) is also available. Summing card (JB-PCB) can be purchased separately and measures 100 mm x 75 mm.



# JB-SS



**TRANSCCELL TECHNOLOGY, INC.**

975 Deerfield Pkwy, Buffalo Grove, IL 60089

Tel (847) 419-9180 Fax (847) 419-1515

**(800) 503-9180**

www.transcell.net

**YOUR AUTHORIZED TRANSCCELL DEALER IS:**

**AREC LTDA / AREC Control LLC**

[www.arec.com.co](http://www.arec.com.co)

**+57-1-2151217 / Bogotá - Colombia**

*Specifications and features subject to change without notice.*